

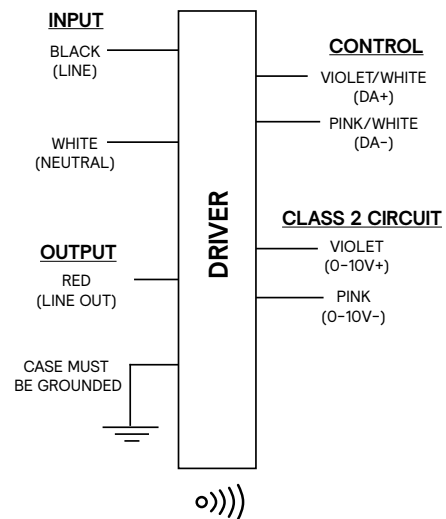


The Advance Xitanium SR bridges are designed to expand the flexibility and application of the SR protocol with SR-certified components. These models enable use of SR with the full range of Advance Xitanium 0-10V dimming drivers. Primary use cases are: 1) for use in combination with 0-10V drivers where SR-specific models are not available; this makes deployment of SR practical for any niche application where a 0-10V dimming driver is available; and 2) for use with multiple 0-10V drivers where per-fixture control is either not desired or not practical. In such application, the SR bridge aggregates all drivers and controls/monitors as one group.

Specifications

Input Voltage (Vac)	Max. Power (VA)	Max. Current (A)	Max. Losses (W)	Max. Case Temp (°C)	Surge Protection Common/Diff (KV)
120	730	6.1	1.0	70	2.5
208	1270	6.1			
240	1270	5.3			
277	1270	4.6			
347	1280	3.7			

Wiring Diagram



Control Interface, Input	Dimming Interface, Output
SR	0-10V

Class 2 only.

WARNING

- Install in accordance with national and local electrical codes.
- Risk of electric shock - More than one disconnect switch may be required to de-energize the equipment before servicing.

GROUNDING

- Driver case must be grounded.



OPEN ENERGY MANAGEMENT EQUIPMENT



Xitanium SR SRB-BS2 and SRB-LD2

Electrical Specifications

All the specifications are typical and at 25°C Tcase unless specified otherwise.

Features

- Updated SR specifications (SR2.0) that include applicable data in standardized ANSI C137.4/D4i memory banks
- Zero-crossing switching
- Energy reporting
- Linear (1-8v) dimming curve matches standard Advance Xitanium drivers
- SmartMate form factor with bottom entry and side entry
- 0-10V interface is designed to sink or source current of up to 10mA

Benefits

- Works with multiple SR-compatible wireless lighting control products available on the market today
- Designed for electronic loads up to maximum number of listed drivers
- Monitor and manage overall energy usage
- Matches standard Xitanium dimming drivers
- Easy junction box and in-fixture mounting options

Application

- Downlighting
- Recessed linear
- Pendants
- Wall sconces

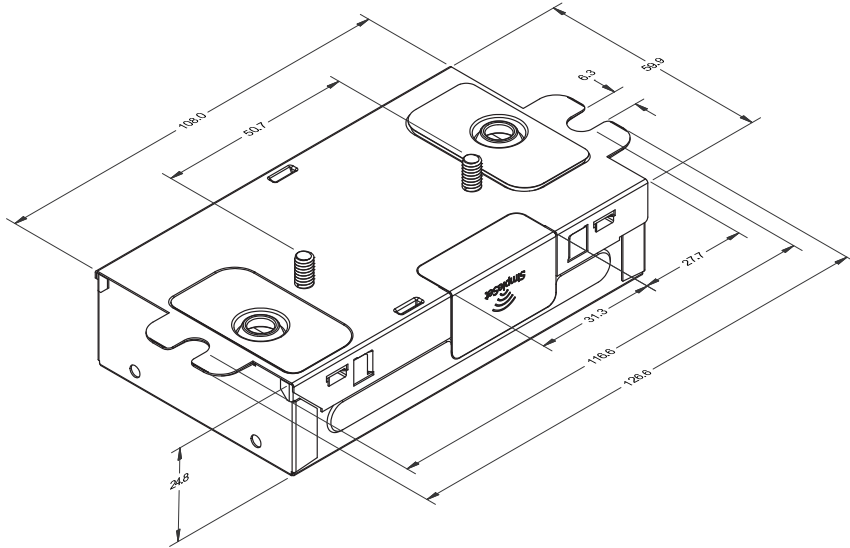
Product Data

Ordering Information	
Full Product Code	SRB-BS2, 12NC: 929001780413 SRB-LD2, 12NC: 929001780513
Net Weight Per Piece	0.44 lbs./0.2 kgs
Packaging	Mid-pack, 16pcs/box
Global Trade Identification Number (GTIN)	SRB-BS: 8718696694886 / SRB-LD: 8718696694909
Input and Output Information	
Inrush Current	Per NEMA 410, for max. number of drivers listed
Line Voltage (AC operation)	120-347VAC, +/-10%
Line Current, Max. Load	6.1A @ 120V, 6.1A @ 208V, 5.3A @ 240V, 4.6A @ 277V, 3.7A @ 347V
Line Frequency	50/60Hz
Features	
Life @ 70°C	50,000 hrs (nom)
Max. Case Temperature (Tcase, Tc)	70°C
Ambient Temp Range	-20°C to +60°C
Power Reporting Accuracy	±0.9W/±4%
Dimming Profile	Linear (de Pro1 - 8V); Programmable
0-10V Dimming Interface Max Sourcing/Sinking Current	+/-10mA
Lead Wires	18AWG solid conductor, 8 inches
Environment & Approbation	
Agency Approbations	UL916, UL2043, CSA (C22.2 No. 205)
Audible Noise	26dB typ. not including start-up; 46dB typ. at start-up
EMC (electromagnetic compliance)	Meets FCC 47 Part 15 Class A
Envir. Protection Rating	UL Dry & Damp

Xitanium SR SRB-BS2 and SRB-LD2

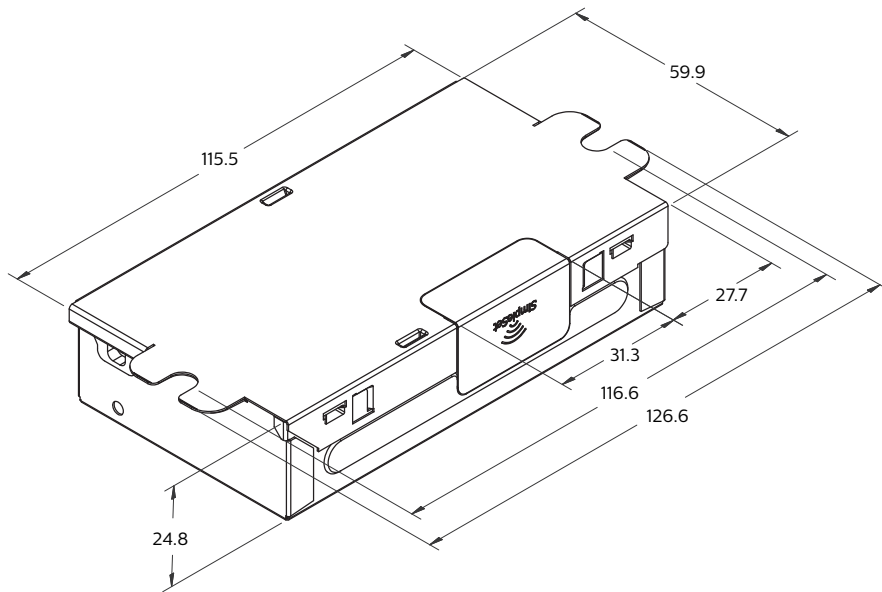
Enclosure

SRB-BS2



	In. (mm)
Case Length	4.25 (108.0)
Case Width	2.36 (59.9)
Case Height	0.98 (25.0)
Mounting Length	4.59 (116.6)
Overall Length	4.98 (126.6)

SRB-LD2



	In. (mm)
Case Length	4.25 (108.0)
Case Width	2.36 (59.9)
Case Height	0.98 (25.0)
Mounting Length	4.59 (116.6)
Overall Length	4.98 (126.6)

Xitanium SR SRB-BS2 and SRB-LD2

Number of Drivers Per Bridge

The SR bridge is compatible with Advance Xitanium drivers (0-10v dimming) having published output power ratings shown below.

Driver		Input Voltage	# Drivers	
Downlight	13W	120	32	
		277	40	
	25W	120	17	
		277	30	
	36W	120	12	
		277	22	
	50W	120	8	
		277	15	
	75W	120	5	
		277	10	
	Linear	20W	120	20
			277	36
347			36	
40W		120	11	
		277	19	
		347	19	
54W		120	8	
		277	14	
		347	15	
75W		120	5	
		277	10	
		347	10	
95W		120	4	
		277	8	
		347	8	
190W		120	2	
		277	4	
		347	4	

Xitanium SR SRB-BS2 and SRB-LD2

Lightning Surge Info

ANSI Surge Type	Differential Mode (L-N)	Common Mode (L-G, N-G, L&N-G)
100kHz Ring-Wave (w/t 30ohms)	>2.5kV	>2.5kV

Isolation

Isolation	Line In	Ground	SR	0-10V	Line Out
Line In	NA	2xU+1kv	2U+1kv	2U+1kv	Not Isolated
Ground	2xU+1kv	NA	2xU+1kv	2xU+1kv	2xU+1kv
SR	2U+1kv	2U+1kv	NA	Not Isolated	2U+1kv
0-10V	2U+1kv	2U+1kv	Not Isolated	NA	2U+1kv
Line Out	Not Isolated	2xU+1kv	2U+1kv	2U+1kv	NA

Installation and Application Notes

SR bridge may emit slight audible noise under normal operation.



© 2021 Signify Holding. All rights reserved. The information provided herein is subject to change, without notice. Signify does not give any representation or warranty as to the accuracy or completeness of the information included herein and shall not be liable for any action in reliance thereon. The information presented in this document is not intended as any commercial offer and does not form part of any quotation or contract, unless otherwise agreed by Signify.

Signify North America Corporation
200 Franklin Square Drive,
Somerset, NJ 08873
Telephone 855-486-2216

Signify Canada Ltd.
281 Hillmount Road,
Markham, ON, Canada L6C 2S3
Telephone 800-668-9008

All trademarks are owned by Signify Holding or their respective owners.